

M133WK, 13.3-inch Ultra Rugged Tablet

An Ultra Rugged Tablet that Survives Any Environment and Gets Real Work Done

M133WK boasts a robust set of features designed to withstand industrial use while providing high tech solutions that increase productivity, improve safety, and reduce operational costs. With processing power coming from 8th Gen. Intel® Core™ i5-8265U Whiskey Lake processor, the M133WK features a sunlight readable 1920 x 1080 PCAP touchscreen with wide viewing angle and direct optical bonding technology. The built-in kickstand allows the device to stand firmly on nearly any surfaces to become an ultra-rugged, yet compact mobile workstation with reliable performance.



Highlights

- Intel® Core™ i5-8265U Whiskey Lake processor
- 13.3" 1920 x 1080 IPS wide viewing angle LED Panel
- Magnesium alloy housing with all-around elastomeric rubber
- Built-in kickstand usable as carrying handle (indefinitely adjustable)
- Cold swap Battery Pack
- IP65 waterproof and dustproof
- Optical bonding technology
- TPM 2.0

* The device images are for reference only. Actual device may vary

M133WK, 13.3-inch Ultra Rugged Tablet

An Ultra Rugged Tablet that Survives Any Environment and Gets Real Work Done

Display Specification

Size	13.3-inch
Resolution	1920 x 1080
Panel Brightness	500 nits with Optical Bonding
Touch	Multi-touch Projected Capacitive with Glove/Rain/Stylus Modes Support
Contrast Ratio	1000:1
Viewing Angle	89/89/89/89
Technology	<ul style="list-style-type: none">• Anti-glare technology (Default)• Intel HD Graphics (built-in CPU) video controller

System Specification

Processor	Intel® Core™ i5-8265U, 1.60 GHz (up to 3.90 GHz),
System Memory	4GB SODIMM DDR4-2400 (up to 16GB) ¹
Storage 1	1 x 128GB M.2 SSD (up to 512GB)
Storage 2	Optional M.2 SSD (up to 512GB)
Operating System	Windows 10 IoT Enterprise

Wireless Communication

WLAN	802.11 a/b/g/n/ac
WWAN	4G LTE (Optional)
Bluetooth	Bluetooth 5.0
GNSS	GPS/GLONASS (Optional)

Interface

Docking Connector	1 x Docking connector
LAN	1 x RJ45-10/100/1000 Mbps LAN
USB	2 x USB 3.0 Type A 2 x USB 3.0 Type A
USB Type-C	1 x USB 3.1 Type-C (Gen1)
Power Input	1 x Power Jack (DC Input)
SD	1 x SDXC Slot
Service Window	Access to SSD + 2 x WiFi

Keyboard and Input

Touch	<ul style="list-style-type: none">• 10-point multi-touch, support Hand / Gloves, Rain Mode, and Active Pen
Button	<ul style="list-style-type: none">• On-screen QWERTY keyboard• 7 membrane keys: 1 x power, 1 x menu, 3 x function key (Programmable function key)

Status Indicators

LED Indicators	Power, Battery, SSD, RF
----------------	-------------------------

Audio

Microphone	1 x built-in Digital Mic with Noise Cancellation
Speaker	2 x 1 watt speaker

Certifications

Certifications	CE, FCC
----------------	---------

Security Function

Security	<ul style="list-style-type: none">• Trusted Platform Module (TPM) V2.0²• Kensington lock slot
----------	---

Mechanical and Environment

Dimension (W x L x H)	338.2 x 240 x 30 mm (13.3 x 9.4 x 1.18 inches) ³
Housing	Rear Magnesium Alloy Die-Casting Design
Cooling System	Fanless thermal design
Weight	2.5 Kg (With Kickstand)
Operating Temperature	-10°C to 50°C (14°F to 122°F)
Storage Temperature	-20°C to 60°C (-4°F to 140°F)
Humidity	30% to 80% RH, non-condensing
IP Proof	IP65
Shock	MIL-STD-810G Method 516.6 Procedure I
Vibration	MIL-STD-810G Method 514.6 Procedure I
Drop	MIL-STD-810G Method 516.6, 4 ft to concrete

Power Management

Power Input	19V DC
Battery	14.8V, typ. 5900 mAh Li-Polymer Battery (4S1P)
Battery Operating Time	More than 10 hours (BAPCo TabletMark v3) ⁴
Adapter	100-240V, 50-60Hz / 19V DC

Accessories

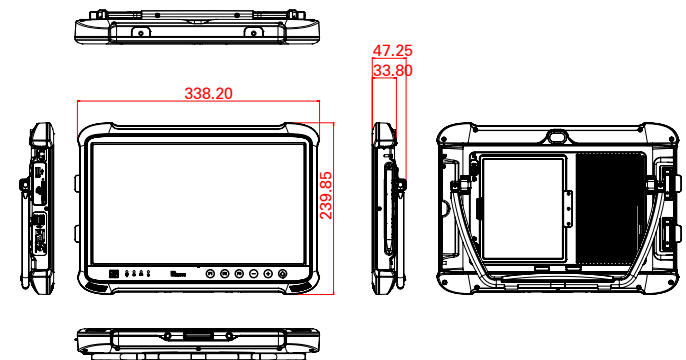
Standard Accessories

Adapter and Power Cord	922D065W19V1
Standard Battery	98K000A000DU
Stylus	9AN00000000V
Stand with Integrated Handle	98K000A000DV

Optional Accessories

VESA Mounting Kit	98KT00A0000Q
VESA Mounting Kit 2	98KT00A00019
RAM Mounting Kit	98K000A0007Z
Vehicle Charger	9226065W19V0

Drawing⁵



Caution

Do Not Expose the Battery Pack to Excessive Heat, or Extreme Heat (Near Fire, in Direct Sunlight for example)
Do not expose bare skin to this product when handling this unit in extreme hot or cold environments

1. Total usable memory will be less depending upon actual system configuration.
2. TPM 2.0 available upon request.
3. Length measurements do not include protrusions. Weight varies with options.
4. Measured at dimming LCD brightness. Varies depending on the usage conditions, or when an external device is attached.
5. This is a simplified drawing and some components are not marked in detail.